

JVC



English

中文

SPEAKER SYSTEM

扬声器系统

SX-L77



INSTRUCTIONS

使用说明书



LVT1283-002A
[U]

Thank you for purchasing a JVC speaker. Before you begin using it, please read the instructions carefully to be sure you get the best possible performance. If you have any questions, consult your JVC dealer.

Warnings, Cautions and Others

■ Precautions for installation

- To avoid personal injury or accidentally dropping the unit, have two persons unpack, carry, and install the unit.
- Do not install the speakers on an uneven surface or in a place subject to vibration; otherwise, they may fall over, causing damage or injury.
 - Take the occurrence of earthquakes or other physical shocks into consideration when selecting the installation place, and secure the speakers thoroughly.
- To prevent deformation or discoloration of the cabinet, do not install the speakers where they are exposed to direct sunlight or high humidity, and avoid installation near air conditioning outlets.
- Speaker vibrations may cause howling. Place the speakers as far away from the player as possible.
- The speakers are magnetically shielded to avoid color distortions on TVs. However, if not installed properly, it may cause color distortions. So, pay attention to the following when installing the speakers.
 - When placing the speakers near a TV set, turn off the TV's main power switch or unplug it before installing the speakers. Then wait at least 30 minutes before turning on the TV's main power switch again.

Some TVs may still be affected even though you have followed the above. If this happens, move the speakers further away from the TV.
- Tuner reception may become noisy or hissing if a speaker is installed near the tuner. In this case, leave more distance between the tuner and the speakers or use an outdoor antenna for better tuner reception without interference from the speakers.
- Do not lean against the speakers, as the speakers could fall down or break, possibly causing an injury. Especially be careful that children do not lean against them.



■ Precautions for daily use

- To maintain the appearance of the speakers**
 - Wipe with a dry, soft cloth if the cabinet should become dirty. If very dirty, wipe with a cloth applied a small amount of water or neutral detergent, then wipe with a dry cloth.
 - Do not use chemicals such as benzene and thinner for cleaning the cabinet.
- To improve the sound field**
 - It is recommended to leave a space of more than 50 cm between the speakers and the wall.
 - If the speakers are facing a solid wall or glass door, etc., it is recommended to furnish the wall with materials that absorb sounds, for example by hanging up thick curtains, to prevent reflections and standing waves.
- To use the speakers without any trouble**
 - Do not reproduce sounds at so high a volume that they are distorted; otherwise, the speakers may be damaged by internal heat buildup.
 - When moving the speakers, do not pull the speaker cords; otherwise, the speakers may fall over, causing damage or injury.

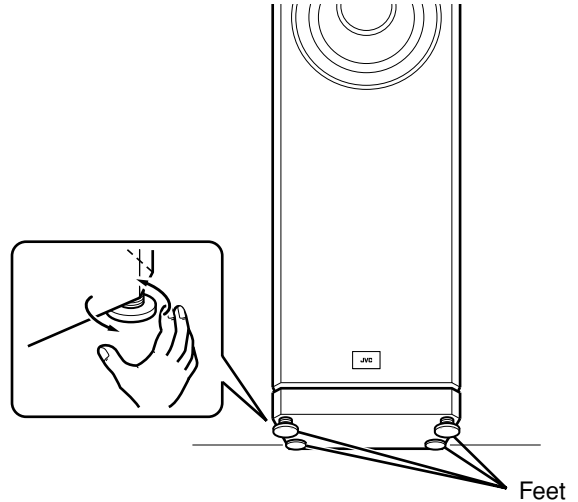
Preparation

■ Checking the supplied accessories

- Speaker grille (1)**
If any item is missing, contact your dealer immediately.

■ Adjusting the feet

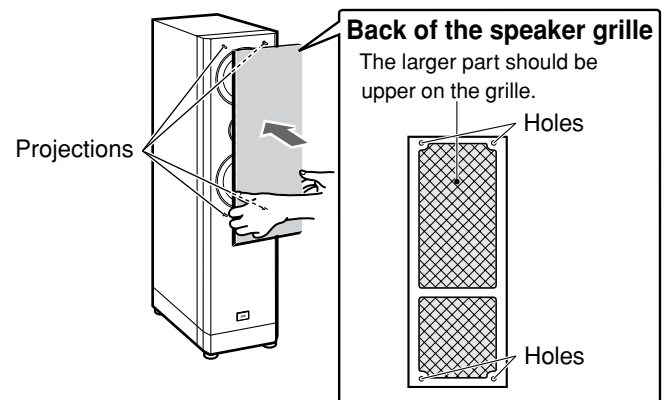
- If the speaker is unstable, adjust each foot until it stands stably.
- To avoid personal injury, and physical damage both to the speaker and to the floor be careful not to drop the speaker on your feet.
 - Have two persons to adjust the feet to avoid falling off the speaker.
 - Do not touch the speaker units while adjusting the feet.
 - When installing the speaker on the floor, be careful not to place it over your hands.



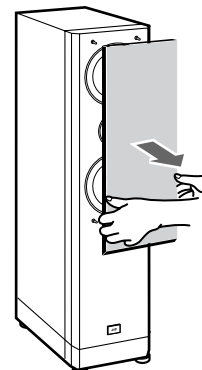
■ About speaker grille

To attach the speaker grille, put the projections of the speaker into the holes of the speaker grille.

- Do not press the speaker grille strongly.



To remove the speaker grille, insert your fingers at the bottom of the speaker grille, then pull upward.



Connection

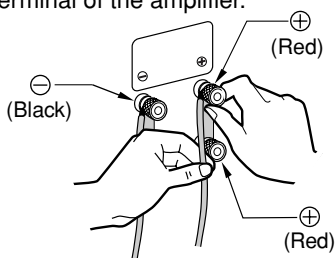
■ Connecting the speaker system to the amplifier

Before connecting:

- Make sure to match the polarity (\oplus and \ominus) when connecting the speaker cords.
- Turn off the power to the amplifier before connecting the speaker system; otherwise, the speakers may be damaged.
- The impedance of each speaker is 6 Ω .
If this does not match with the speaker impedance range indicated on the amplifier, you cannot connect this system to the amplifier.
- The maximum power handling capacity of the SX-L77 is 180 W. Excessive input will result in abnormal noise and possible damage.
- Be sure to turn down the volume level on the amplifier to prevent unwanted noise before performing following operations:
 - Turning on or off other components
 - Operating the amplifier
 - Tuning FM stations
 - Fast-forwarding a tape
 - Continuously reproducing high frequency oscillation or high pitch electronic sounds
 - Connecting or disconnecting a microphone
- When using a microphone, do not aim it at the speakers or use it near the speakers; otherwise, the howling which occurs may damage the speakers.
- Before replacing the cartridge, always turn off the power both to the amplifier and to the turntable; otherwise, the clicking noise may damage the speakers.
- Use speaker cords as follows:
 - Buy thick speaker cords rather than thin cords, and make them as short as possible for connection.
 - Use speaker cords of the same length for both left and right speakers.
 - Do not use long speaker cords; otherwise, the sound quality may deteriorate.
 - Using a special speaker cord such as a litz wire, a coaxial cable, or a cord which has the specified connecting directionality may influence the sound quality.

■ Connecting the speaker cord

Connect the "INPUT" terminal of the speaker to the speaker terminal of the amplifier.

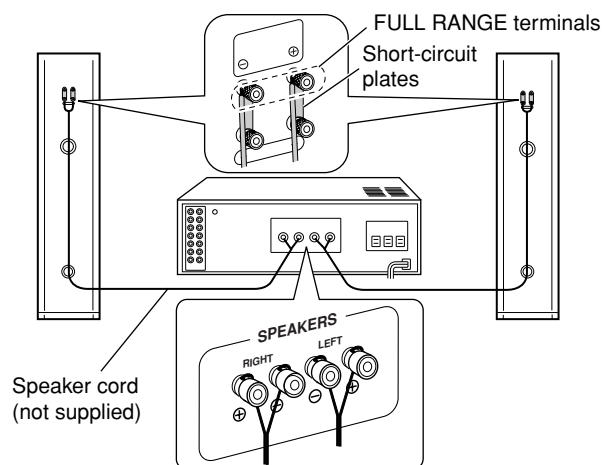


Rotate the speaker terminal knob counterclockwise and fit the speaker cord into the groove. Then rotate the knob clockwise to secure the cord.

- Make sure to match the polarity (\oplus and \ominus); otherwise, the surround effect will become less effective.

■ Conventional connection

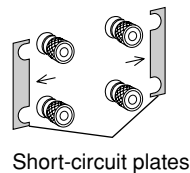
- 1 Loosen the knobs of the "FULL RANGE" terminals.
- 2 Fit the speaker cords into the grooves of the "FULL RANGE" terminals, then tighten the knobs to secure the speaker cords and short-circuit plates.



■ Bi-wiring connection

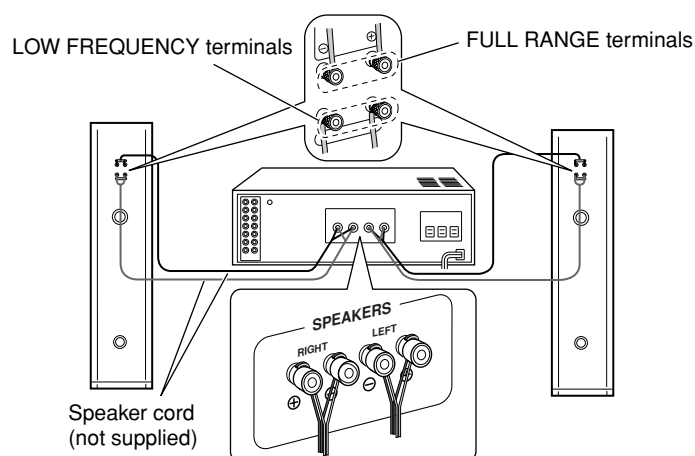
This speaker is bi-wireable. Comparing with the conventional connection, the bi-wiring connection makes the sound field larger, deeper, and richer.

- 1 Loosen all speaker terminal knobs and detach the short-circuit plates.



Short-circuit plates

- 2 Connect the "FULL RANGE" terminals and "LOW FREQUENCY" terminals separately to the speaker terminals of the amplifier.



Specifications

Type: 3-way 3-speaker bass-reflex type
Magnetically-shielded type

Speaker unit:

Woofers: 17.5 cm cone
Mid and low range: 17.5 cm cone
Tweeter: 2.5 cm dome

Power handling Capacity: 180 W

Impedance: 6 Ω

Crossover frequency: 170 Hz, 3 000 Hz

Frequency range: 28 Hz to 70 000 Hz

Sound pressure level: 89 dB/W•m

Dimensions (W x H x D): 253 mm x 1 077 mm x 387 mm

Mass: 38.0 kg

Design and specifications subject to change without notice.

JVC



Unpacking the speaker/拆开扬声器的包装

Precautions for unpacking:

- This speaker weights 42 kg total. Have two persons unpack for safe unpacking and installation.
- Make sure to keep enough space for unpacking.

拆封时的注意事项:

- 本扬声器总重 42 kg。为保证拆封和安装安全，拆封时需要由两个人完成。
- 确保为拆封留置足够的空间。

FRONT mark on the package indicates the front side of the speaker. Open the package carefully not to damage the speaker.

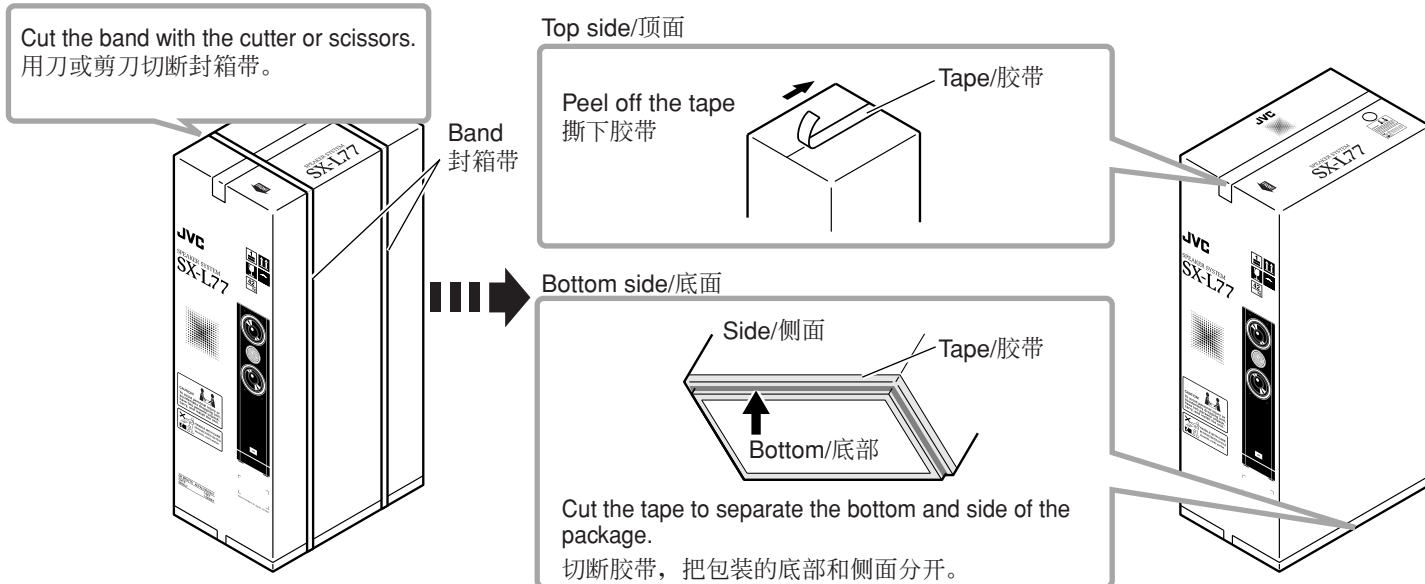
包装上的 **FRONT** 标记注明了扬声器的前侧。小心打开包装，不要损坏扬声器。

1 Take off the bands, then peel off the tapes on the package.

- Be careful not to cut your hand or finger while taking off the bands.

拆除封箱带，然后撕下包装上的胶带。

- 拆除封箱带时小心不要切到手或手指。



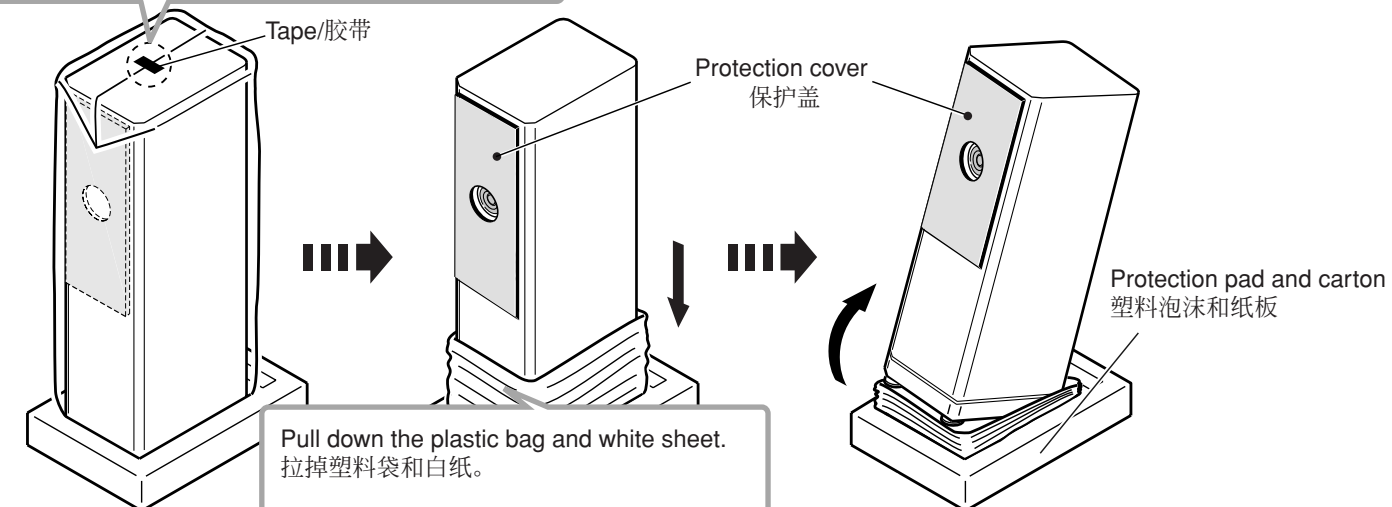
3 Remove the speaker from the protection pad.

- Do not touch the speaker units when holding the speaker.

从塑料泡沫中取出扬声器。

- 握持扬声器时，切勿触碰扬声器装置。

Peel off the tape on the plastic bag and white sheet.
撕下塑料袋和白纸上的胶带。

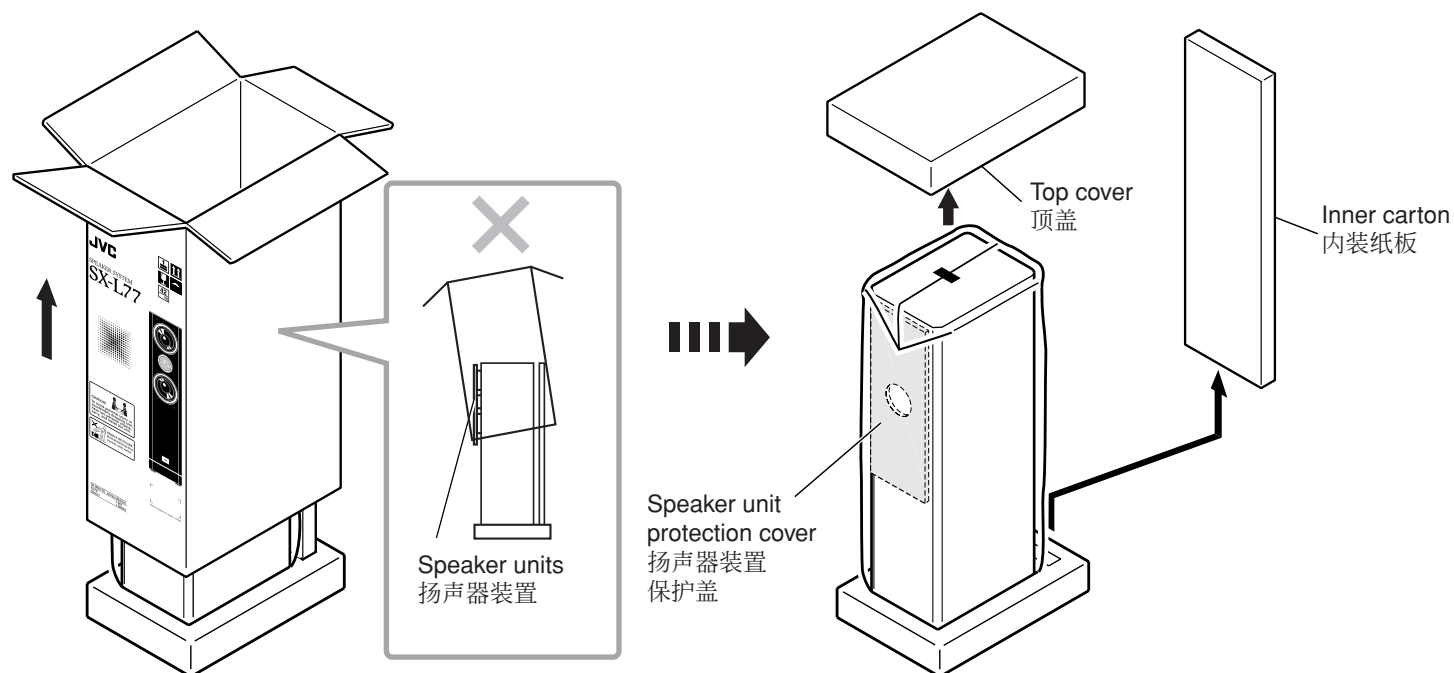


2 Remove the package.

- To attach the speaker grille (inside the inner carton), refer to page 2 of the Instructions.

取下包装。

- 想要装上扬声器罩网（内装纸板中），请参阅使用说明书的第 5 页。



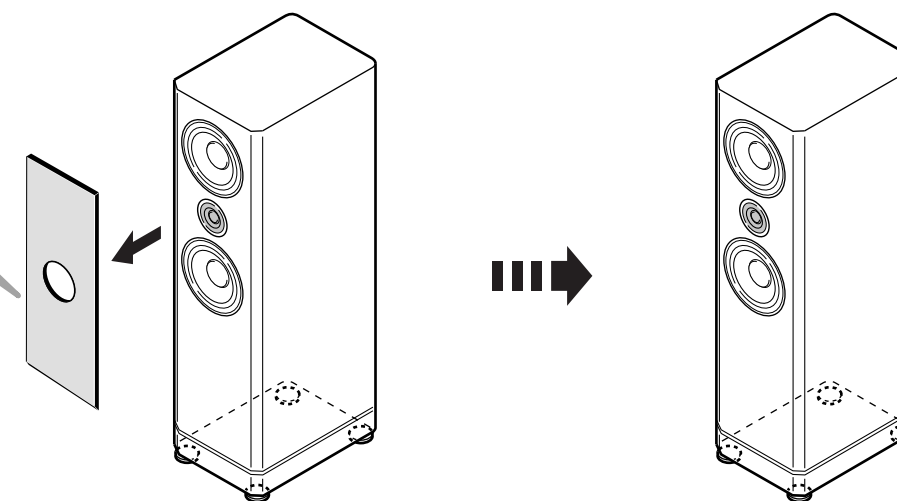
4 Place the speaker on the floor.

- Be careful not to place the speaker over your hands.

将扬声器放置在地板上。

- 注意不要被支脚夹到手。

Remove the protection cover.
取下保护盖。



Before unpacking, read this manual carefully.
拆封前，请仔细阅读本手册。

UNPACKING MANUAL 拆封手册